



BD5T

Bluetooth Interface

Features

- * Bluetooth 4.0 Wireless for DALI Systems
- * Simple Control Through iDALI App
- * Capable of Multiple BD5T Parallel Connection
- * Automatic Data Synchronization Among All Connected BD5Ts
- * Min. & Max. Brightness Level Setting, Dimming, On/Off, Scene Storing and Recalling, Fade Time Setting
- * Powered Directly from the DALI Bus



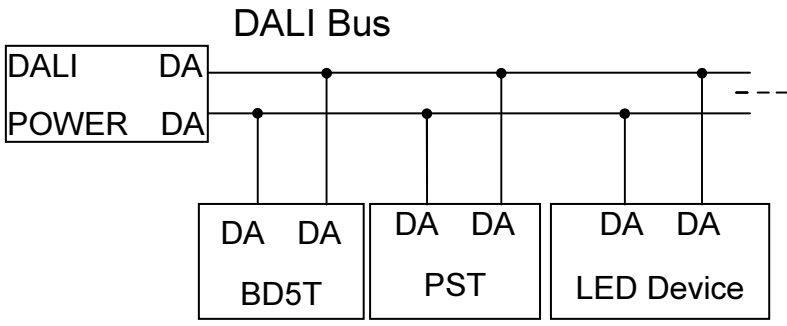
Specifications

1. Bluetooth 4.0 wireless technology requires iOS 6 or later/ Android 4.4 or later
2. Power by DALI bus: 10.5-22.5Vdc
3. Current Draw: 30mA
4. Effective Distance: 10m (Open area)
5. Operating Temperature: 0~50°C
6. Connecting Wire Cross Section 0.2~1.5 mm²

Note:

- (1) iDALI App in the App store/ Google play store for free downloadable (select iPhone app when you use iPad to search)
- (2) BD5T initialize setting time: 160s for DALI data synchronization and collection.
- (3) BD5T power on/ start-up time: 30s for DALI data synchronization and collection.

Installations Drawing



BD5T is a bluetooth interface between your DALI lighting and iDALI App on your mobile phone.

Mechanic Drawing

All Dimensions in Inches(mm)
 Tolerance Inches:x.xxx±0.02
 Millimeters:x.xx±0.5

TOP VIEW

